

# ECO-LITE

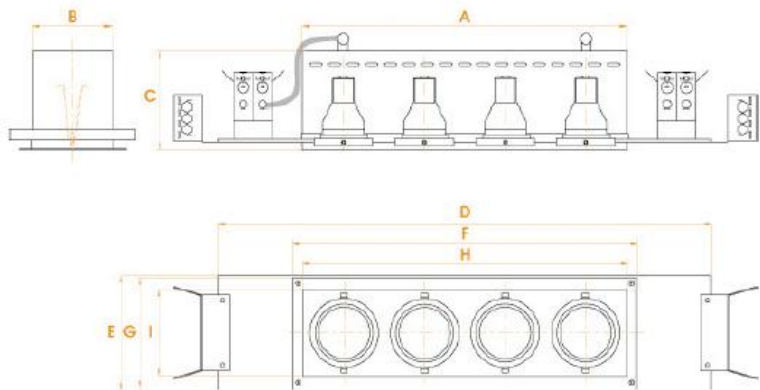
Specialty Lighting Products

33 Rockland Park Ave, Tappan, NY 10983

Tel. 800-345-9652 Fax 845-365-9777

[www.eco-lite.com](http://www.eco-lite.com)

Product No. EL-JMYP304-LED



## CATALOG INFORMATION

MODEL	LAMP	LAMPS	FINISH*
MY	P30 – PAR30	4 – 4-Linear	BB – Black Trim / Black Gimbal / Black Interior SB – Silver Trim / Black Gimbal / Black Interior WB – White Trim / Black Gimbal / Black Interior

## DIMENSIONS

HOUSING			HOUSING FRAME		TRIM		APERTURE		CUT-OUT	
L	W	H	L	W	L	W	L	W	L	W
A	B	C	D	E	F	G	H	I		
40-7/8"	6-3/8"	7-1/8"	33-1/2"	8"	26-7/8"	5-1/8"	25-1/8"	6-3/8"	25-3/8"	6-3/4"

## DESCRIPTION

- New Construction 4-Light Linear yoke-mounted recessed fixture comprised of separate housing and trim. Trim design allows use in ceilings up to 2" thick. No IC, must maintain 3" clearance from any insulation on all sides.

### HOUSING:

3/4" overlap flanges combined with "pull-tight" torsion springs allows forgiveness in minor dry wall cutting errors.

### MOUNTING:

Designed to be installed with overlap flange trim. Universal mounting brackets allow the use of conduit, HB or FB bar stock, or "C" channel bars. May be used as trimless for "mud in" installation.

### AIMING:

Vertical: Inner Ring 40° - Outer Ring 45°  
Rotation: 358°

### LAMPING:

Use (4) PAR30, 120V 75W maximum per lamp. (Lamp not included).

### LISTING:

UL & CUL Listed.

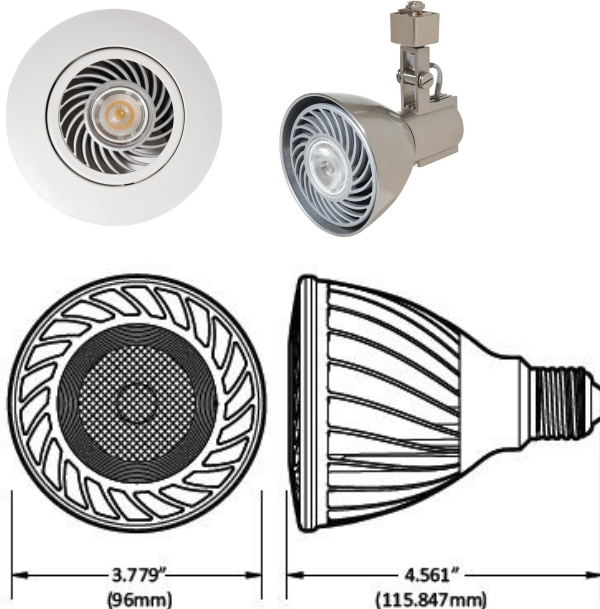
# ECO-LITE

Specialty Lighting Products

33 Rockland Park Ave, Tappan, NY 10983  
 Tel. 800-345-9652 Fax 845-365-9777  
[www.eco-lite.com](http://www.eco-lite.com)

## PAR 30 LED SPIRAL, Available in 3K, 4K, and 5K

Equivalent Source	
Standard	Up to 75W Halogen
High Output	Up to 90W Halogen
L70 lumen depreciation design criteria = 50,000 hours	
Early Submission ENERGY STAR Life = 25,000 hours <sup>2</sup>	
Housing	Painted
Socket	E26 Edison base (US) E27 (Europe)
Beam Spread	15°, 25°, 40°
Spot, Narrow Flood, Flood	
Operating Temperature	-20°C to +40°C
MOL	4.56", 115.847mm
Voltage	120 & 230 VAC
Weight	.099lbs., 450g
Power Factor	≥70
Warranty	5 year limited
Standards	UL1993, File: E320663



### ANNUAL OVERALL SAVINGS<sup>2</sup>

Standard Halogen

PAR30



<sup>2</sup> Savings based on 4,000 annual hours of operation, \$0.10 average cost per KWH. <sup>3</sup> \$40/hr. cost of labor and 15 minutes maintenance time to change lamp.

PAR30 Lifetime Savings: \$533

### FEATURES

- Dimmable to 5% of light on most dimmers.<sup>3</sup>
- Up to three unique beam distributions for application flexibility.
- Suitable for wet locations.
- 15/18 Watts – 80% more efficient than comparable 75/90 Watt Halogen lamp.
- Maintenance free operation, lasts up to 16 times longer than conventional lighting.
- Superior thermal management allows for product usage in enclosed luminaires.
- Centralized optical package provides high quality point source beam versus pixilated designs.
- RoHS compliant – contains no mercury or lead.

### DIMMER CAPABILITIES

Make	Model
Ace	34050, 3027596
Cooper	9536AD
Leviton	6633-PL, 6684, 6631, IPI06-ILX
Lutron	S-600PR-WH, DV-600PR-WH, TG-600PR-WH, AY600P, Q600P, GL600, CN-600PHW, DV-603PG, S-600, S-600P, LG-600P, D-600PH, TT-300NLH, TG-603PG, HW/LP-RPM-4A-120, HW/LP-RPM-4U-120, QSG-6D, SZ-6ND, HW/LP-RPM-4A-120, HW/LP-RPM-4U-120, HxD-6ND, QSG-6D, PHPM-WBX w/DVF-103P, PHPM-PA w/QSG-6D
Legrand	DrRD4W