

# ECO-LITE

PRODUCTS

**ECO25400090 COB 6" Downlight**  
Cutout 155mm

## DESCRIPTION

- 6" fully integrated 25W architectural grade LED recessed down light
- Available in both new construction and remodel styles
- Designed to meet applicable energy conservation code requirements

## FEATURES

- Rotatable 358° at horizontal and 30° at vertical axis
- Delivers over 2000 lumens of high quality ambient lighting at just 25W
- Uses a state of the art LED COB which produces zero ultraviolet rays of light
- Engineered for perfect heat dissipation for cool to the touch operation
- Available in both 80+ and 90+ CRI binned to within 4 step MacAdam ellipses
- Highly advanced reflector design reduces LED glare common with lower quality light fixtures
- 3000K, 4000K and 5000K color temperatures
- Worry free five (5) year warranty
- UL Listed



Sample of fixture fitting into ceiling



## SUITABILITY

- Ideally suited for general/ambient areas of high end retail such as jewelry stores and other architectural applications which require a high quality light source.
- It's small size and decorative detail makes it an excellent alternative to bulky 2' X 2' and 2' x 4' fixtures
- Can be designed with a remote battery backup for emergency lighting applications avoiding the need to purchase different non-matching fixtures.

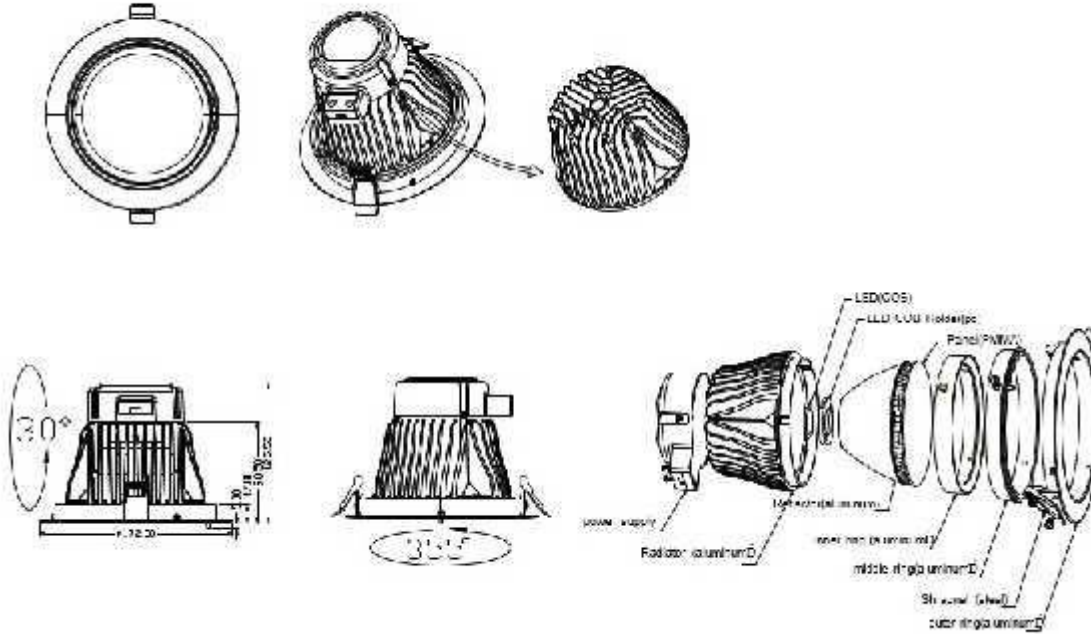
## SPECIFICATIONS

Model #	CCT	Lumen LED PFType	(f10%)	Power CRI	Beam	Current Angle	Voltage
MDL6-025-AW-W-01	5000K	COB Epistar	2720	>80 />90	25W	30	<.32A 100-240V AC >.9
MDL6-025-A-NW-01	4000K		2660				
MDL6-025-AW-WW-01	3000K		2610				

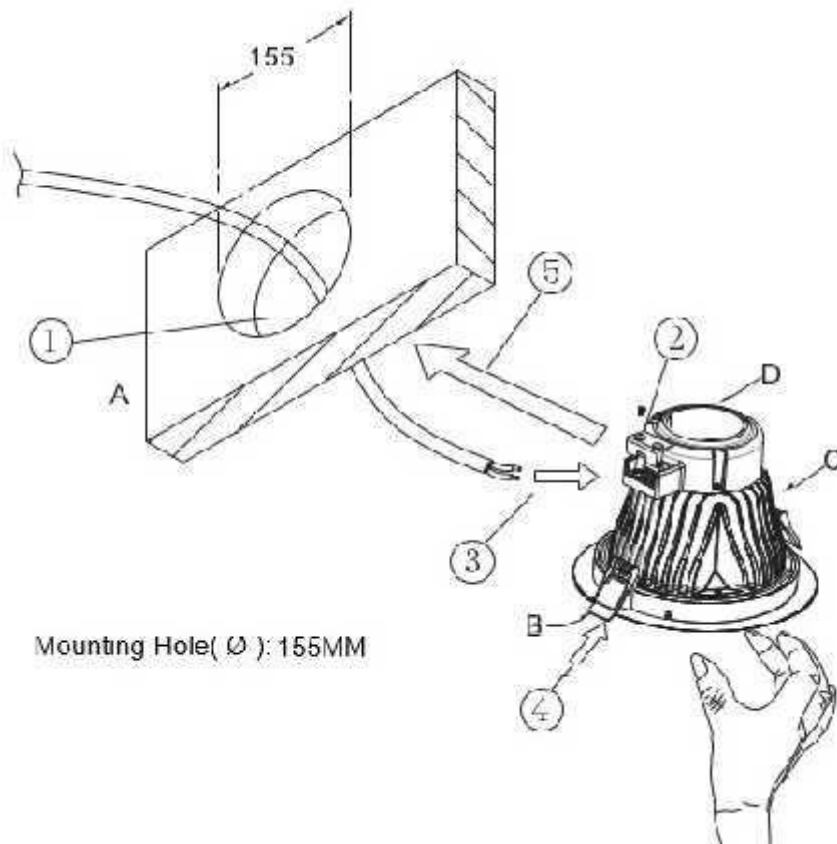
# ECO-LITE

PRODUCTS

## DIMENSIONS



## MOUNTING



- |   |                            |
|---|----------------------------|
| ① | make a hole                |
| ② | Open driver cover          |
| ③ | connect the power wire     |
| ④ | push spring                |
| ⑤ | put the lamp into the hole |

A	Wall
B	Spring
C	LED lamp
D	Driver

# ECO-LITE

PRODUCTS

## APPLICATIONS



## PACKAGE INFORMATION

Product Net Weight	.87kg
Product Gross Weight	1.0kg
Inner Dimension	185X185X150MM
Box Dimension	590*390*330MM
Carton Box Gross Weight	13.5Kg

## SAFETY INFORMATION

- Please read the specification first, to make sure the service environment matches the conditions in the specification before using.
- Please confirm the applicable power supply before using.
- Make sure the switch of product is off before connect to the power supply to prevent electric shock.
- Operation against rules may damage your property even harm to your personal safety.
- Preliminarily estimate required quantity of LED lights, then according to the power rating of single LED light to figure out the total power and design power supply plan.
- Dangerous high voltage, Non-professionals are not allowed to maintain the products.
- If the exterior flexible cable or wire is damaged, it must exchange by the supplier, its agent or other similar qualified personnels to avoid dangers.